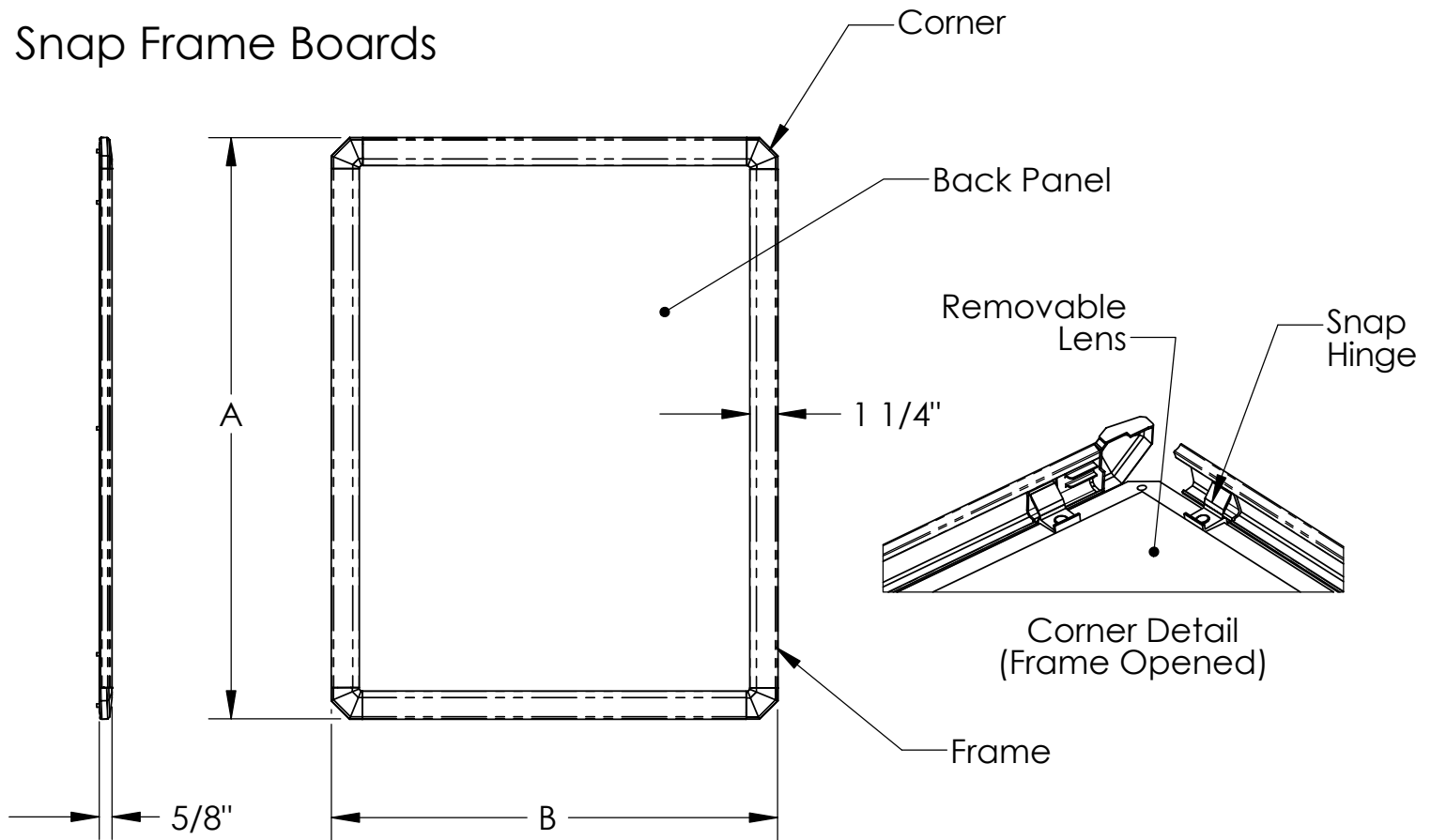


Snap Frame Boards



Materials:

- Framing: Aluminum extrusion.
- Back panel: 1/8" thick tempered hardboard with a white enamel coating.
- Snap Hinges and Frame Corners: Black thermoplastic.
- Lens: 1/16" thick anti-glare clear acrylic.

Features:

- Framing available in silver, gold, or black satin anodizing.
- Mounts horizontally or vertically.
- Can be used as a marker board after lens is removed.

Notes:

- Mounting hardware not included.
- Indoor use only.

"A"	"B"	Poster Size
19-13/16"	25-13/16"	18" x 24"
23-13/16"	29-13/16"	22" x 28"
25-13/16"	37-13/16"	24" x 36"

DECOVUE

Your DECOVUE board is designed for mounting on a variety of wall surfaces.

Because of the wide variation of mounting surface construction, specific mounting hardware is not included. (#8 pan head type self-tapping screws are recommended.)

For the most secure mounting, fasten the board directly to as many wall studs as possible. When wall studs can not be used, we recommend using expandable type wall anchors (not included).

Mounting the board

1. Locate and mark the wall studs that you intend to mount the board to.
2. Open the frame by grasping the inner edge of each frame rail and swinging it outward from the board surface.
3. Remove the lens and set aside.
4. Position and level the board on the wall at the desired height.
5. Using the holes provided, drill (*9/64" diameter for #8 screws*) through each corner of the board into the wall.
6. Install the mounting screws through the board and into the wall studs.
7. Replace the lens and snap the frame rails closed.

