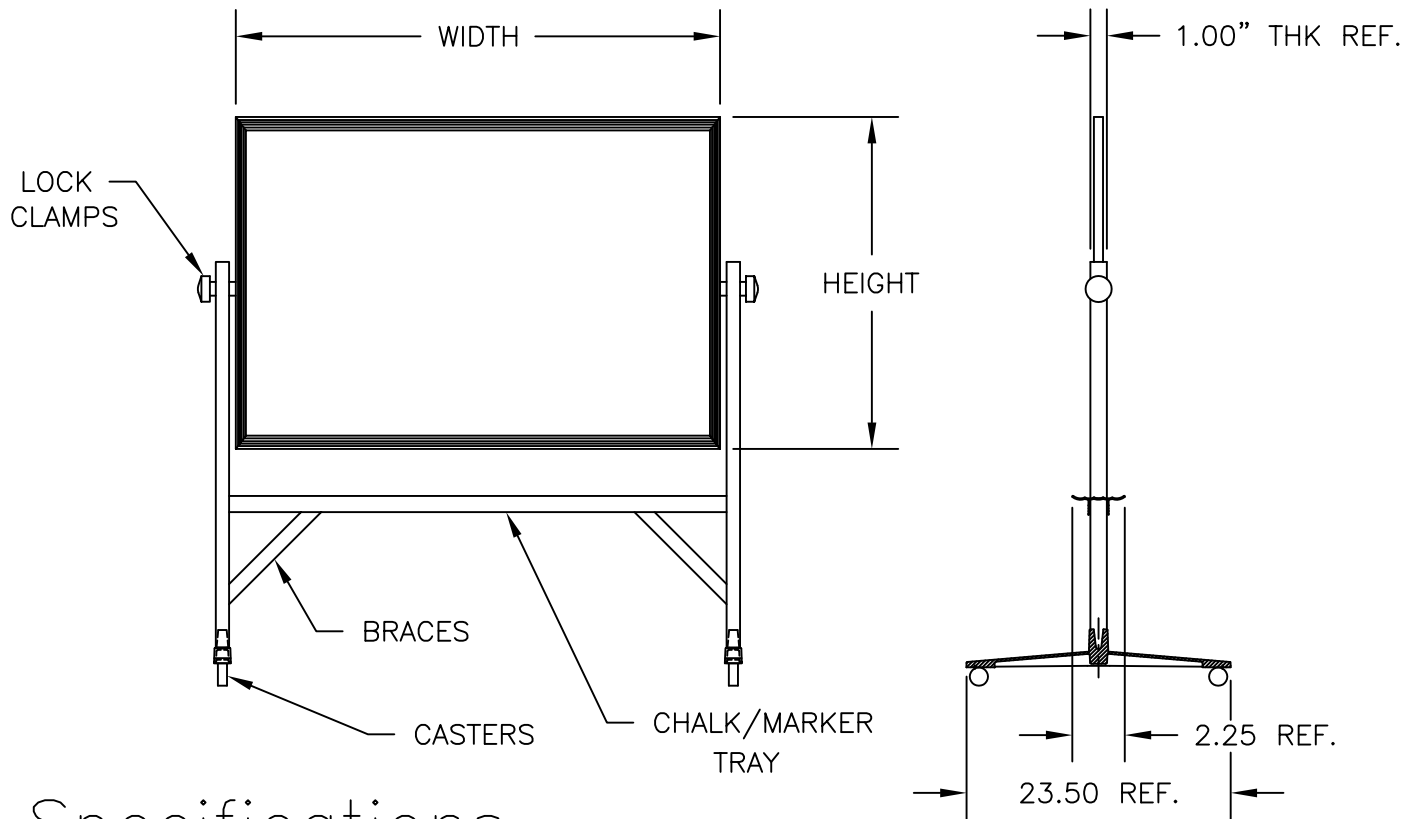


REVERSIBLE BOARDS

ALUMINUM FRAMED



Specifications

All exposed metal shall be anodized extruded aluminum 6063-T5. Aluminum framing to be permanently attached to writing or tack surfaces. The free-standing board is a mobile and versatile communication tool. The reversing mechanism is designed for simple reversible action. Strong steel lock clamps adjust to secure the board in place. Each unit includes a full length chalk/marker tray and reinforced bracing for reduced swaying. Casters are standard on all aluminum models. The reversible board is available in six different surface combinations. Sizes range from 36"H x 48"W through 48"H x 72"W.

This document was created with Win2PDF available at <http://www.daneprairie.com>.
The unregistered version of Win2PDF is for evaluation or non-commercial use only.