

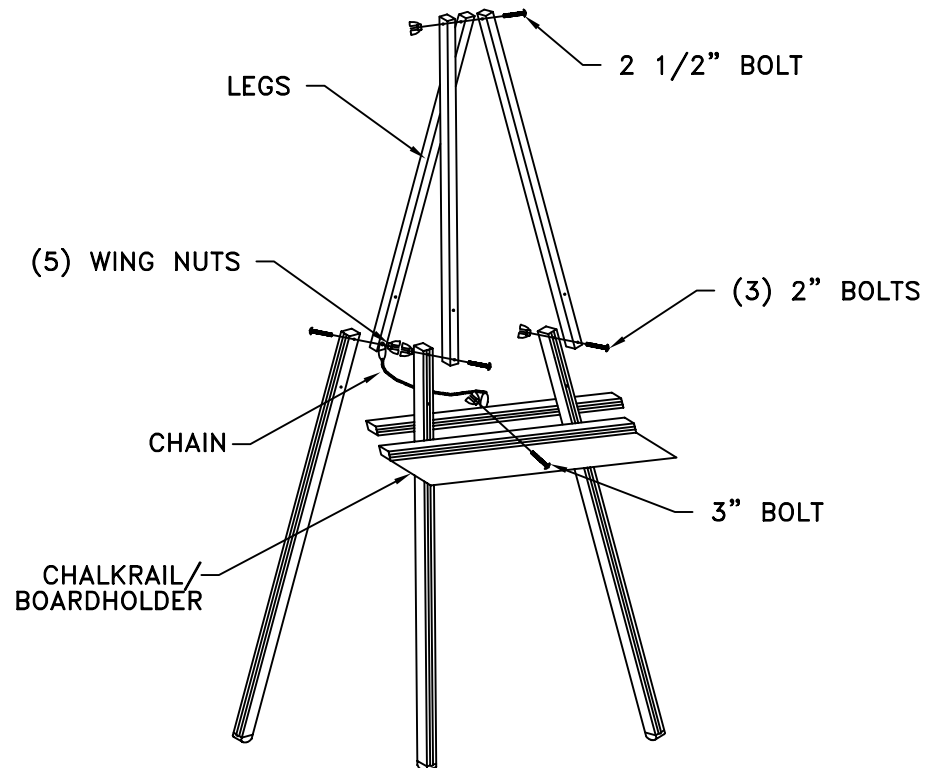
1. REMOVE HARDWARE FROM HARDWARE PACKAGE. PACKAGE SHOULD CONTAIN: (5) WING NUTS, 3" BOLT, 2 1/2" BOLT, (3) 2" BOLTS AND CHAIN.

2. INSERT 2 1/2" BOLT THROUGH TOP LEGS AND LOOSELY SECURE WING NUT,

3. MOVE MIDDLE TOP LEG BACK. INSERT 2" BOLT THROUGH BOTTOM LEG, TOP LEG AND ONE END OF CHAIN, THEN SECURE WITH WING NUT.

4. SECURE REMAINING 2" BOLTS THROUGH TOP AND BOTTOM LEGS AND SECURE WITH WING NUTS.

5. SECURE BAR AND CHALKRAIL/BOARDHOLDER ON EITHER SIDE OF FRONT LEGS WITH 3" BOLT, PLACE OTHER END OF CHAIN ON BOLT AND SECURE WITH WING NUT.

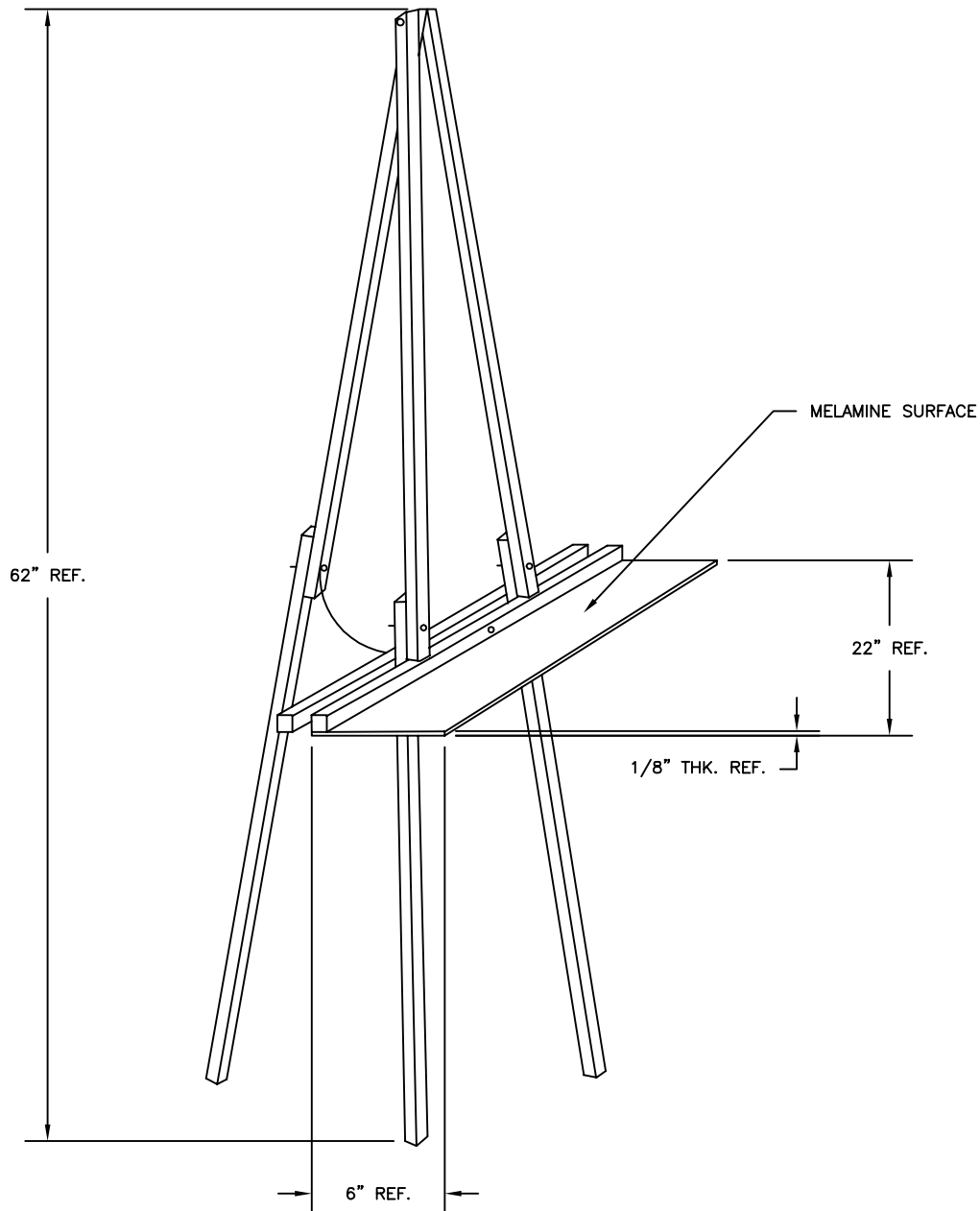


# 960 OAK EASEL INSTRUCTION SHEET

**GHENT**  
MANUFACTURING INC  
IS9607811

# 960FS

SOLID OAK EASEL



## Specifications

The 960FS stands 62" high when fully extended. The easel's legs are made from lightweight solid oak, and are designed to fold in half for easy storage. The 960FS also comes with an adjustable melamine display shelf and rubber stoppers to keep the easel from sliding.