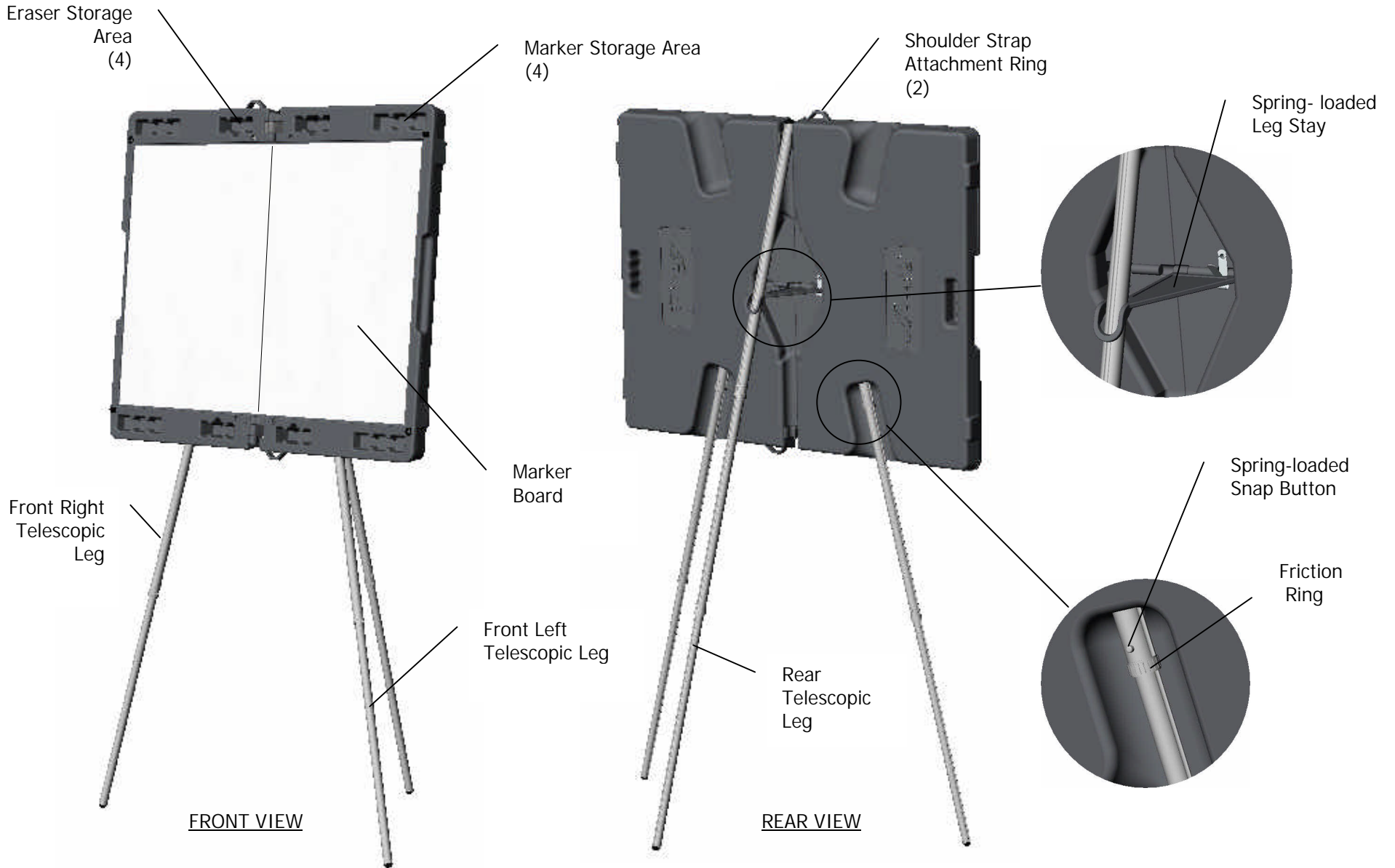


Attivo

by GHENT

Features



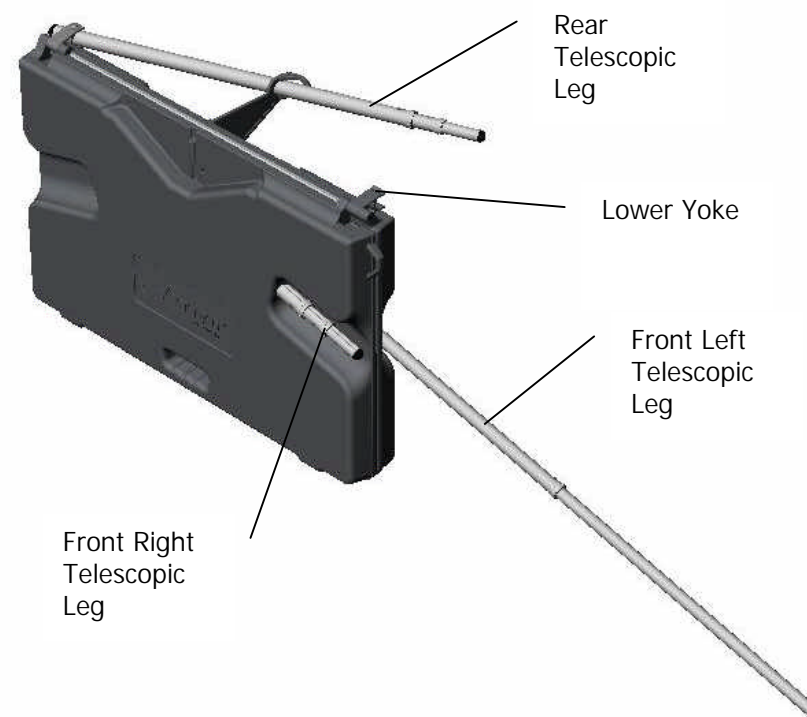
Attivo

by GHENT

Instructions

Setting up the Attivo Presentation Easel

1. Place the Attivo on a flat level surface, rear leg up.
2. Extend the front telescopic legs until the spring-loaded snap buttons engage.
(You may need to loosen the friction rings to adjust the resistance of the leg sections.)
3. Unsnap the rear leg from the lower yoke.
4. Extend the rear leg until the spring-loaded snap buttons engage.
5. Lift the Attivo and rest it on its front left and rear leg.
6. Open the panels until the unit is resting on all three legs.
(Tilting the Attivo slightly forward will allow the spring loaded leg stay to fully engage to the correct open position.)
7. To collapse and fold the Attivo, reverse the previous steps.
(You may need to tighten the friction rings to prevent the legs from extending while the Attivo is being transported.)



Marker Board Care

Ghent recommends that you clean your marker board with marker board cleaner before initial use. This will remove residue that may be on the surface of the board. Rinse thoroughly with clean water and dry with a soft cloth.

Completely erase your board after each day's use. The longer marks remain on the board, the more difficult they become to erase.

For general cleaning, simply wipe your board clean with a soft, damp cloth. If further cleaning is necessary, use Ghent's Sparkleen® Marker Board Cleaner, rinse thoroughly with clean water and dry with a soft cloth.

Erasable Marker Care

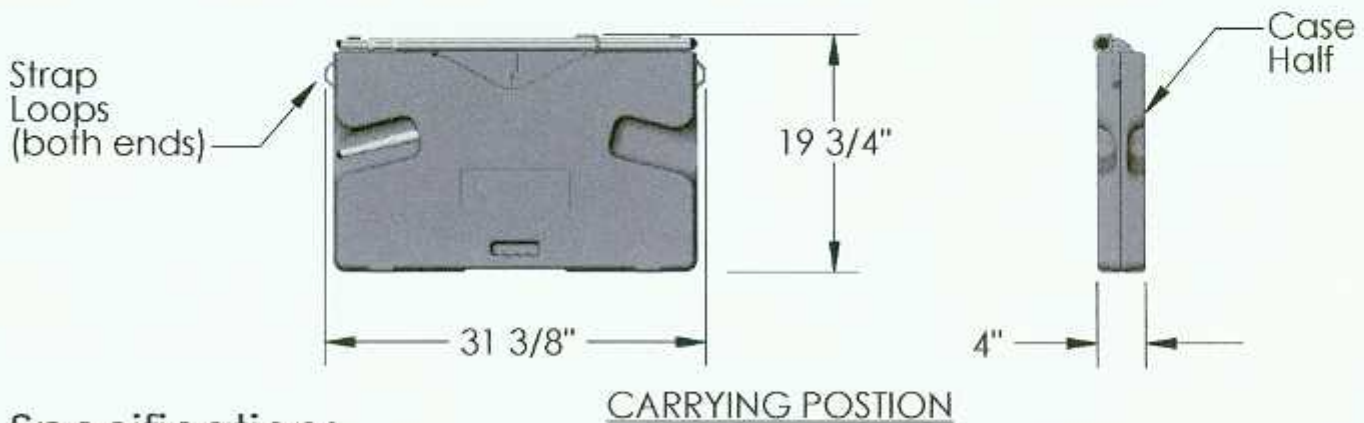
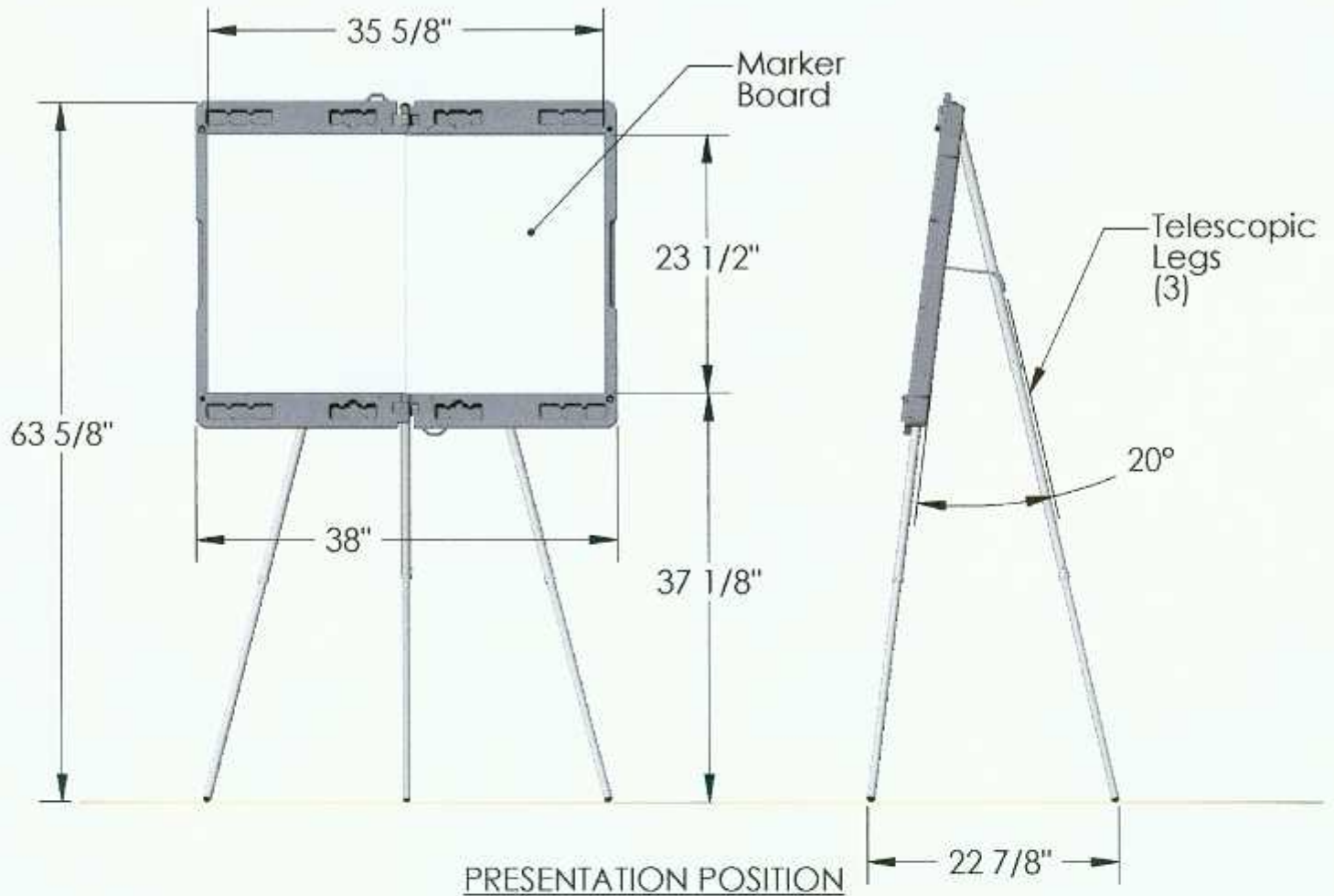
The erasable marker has a solvent base that dries quickly. This is the key to its erasability. Therefore, the markers should be kept tightly capped when not in use. If the cap is left off, the tip will go dry. If this happens, it may be possible to re-wet the tip. Cap the marker, turn it tip-down and shake vigorously for 20 seconds. With proper care, this marker will have a very long life as compared to regular markers.

The erasable marker is designed specifically to mark on erasable marker boards. It is not recommended for use on other surfaces.

Model 19982

Attivo Presentation Kit

GHENT
MANUFACTURING, INC



Specifications

Materials:

Case Halves - Medium gray blow molded high-density polyethylene

Marker Board - White enamel marker-board surface applied to 1/8" thick tempered hardboard.

3-Section Telescopic Legs - Clear anodized aluminum extrusions with nylon internal bushings, steel snap buttons, and non-marking rubber feet/caps

Accessories included:

(4) Erasable Chisel Tipped Markers (red, green, black, and blue)

(1) Mini Eraser

(1) 2" wide black nylon or polypropylene adjustable shoulder strap

Weight: 16.2 Lbs.