

TOOLS NEEDED:

PHILLIPS SCREW DRIVER

HARDWARE INCLUDED:

- (4) #10 X 1-1/4" FLAT HD WOOD SCREWS
- (2) #10 X 3/4" PAN HD WOOD SCREWS

ASSEMBLY INSTRUCTIONS:

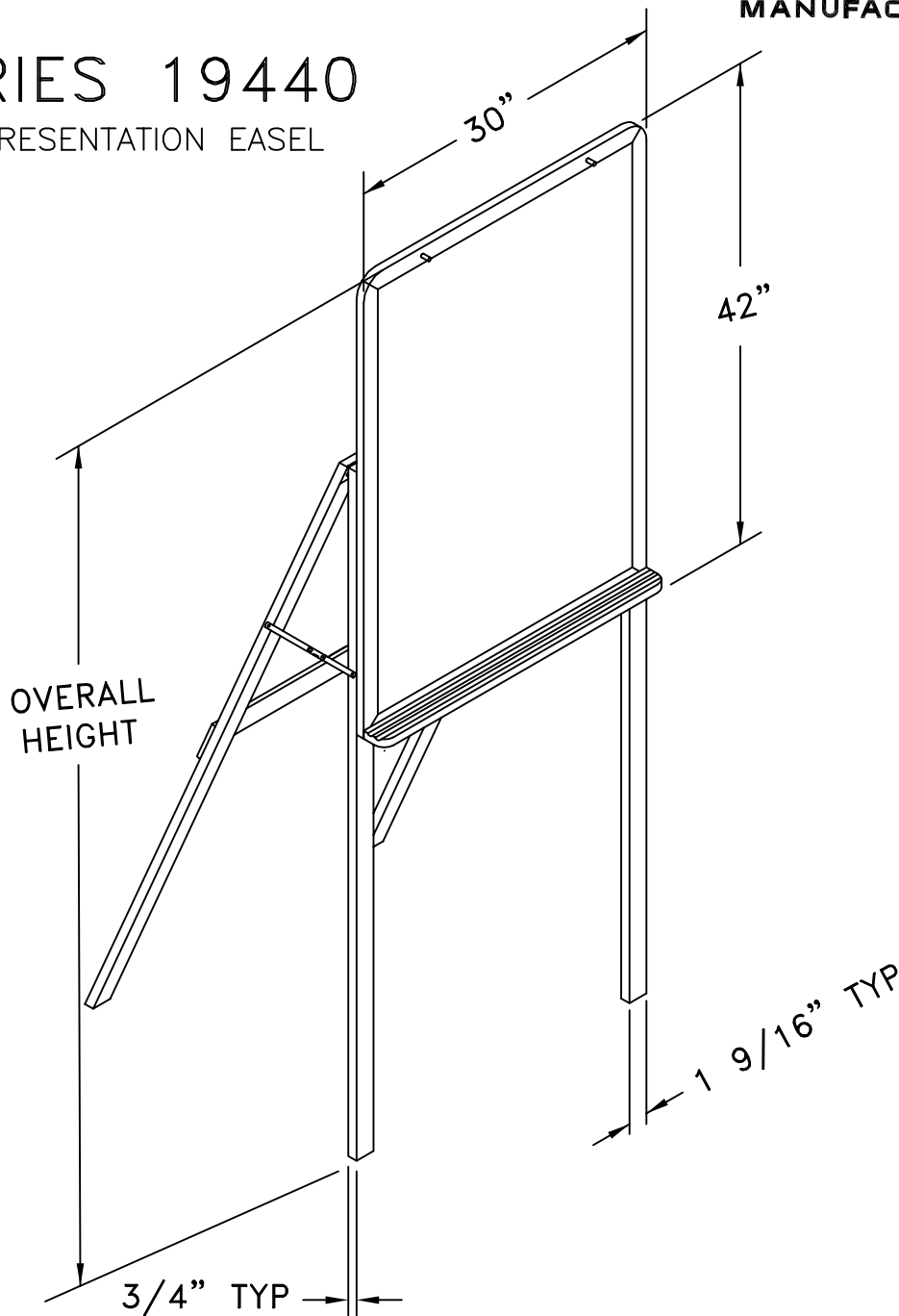
1. THE MARKERBOARD CAN BE ATTACHED AT TWO DIFFERENT HEIGHTS ON THE LEG. DETERMINE APPROPRIATE HEIGHT FOR YOUR SPECIFIC APPLICATION BEFORE ATTACHING BOARD TO LEGS.
2. FASTEN BOARD (B) TO LEG ASSEMBLY (A) USING FOUR #10 X 1-1/4" WOOD SCREWS AS SHOWN.
3. FASTEN HINGES (C) TO LEG ASSEMBLY (A) USING TWO #10 X 3/4" WOOD SCREWS AS SHOWN.
4. IF YOU ARE USING YOUR EASEL WITH AN EASEL PAPER PAD, SLIDE THE PAD ONTO THE BRASS PINS (D) .

**PRESENTATION EASEL
INSTRUCTION SHEET**

**GHENT
MANUFACTURING INC
IS-19440**

SERIES 19440

OAK PRESENTATION EASEL



Specifications

The Oak Presentation Easel has natural wood framing attached to a 1/8" thick verona markerboard. The Oak Presentation Easel also includes legs, a full length oak marker tray, and two brass pegs. The brass pegs accommodate a standard sized 2-hole flip chart pad. The panel is 42"H x 30"W and attaches securely to the legs. The Oak Presentation Easel allows the board to be mounted at two different heights. Assembled in the high position, the unit measures 72" high. Assembled in the low position, the unit measures 58" high. The easel comes complete with markers and an eraser. Folds easily for storage. All dimensions are nominal.