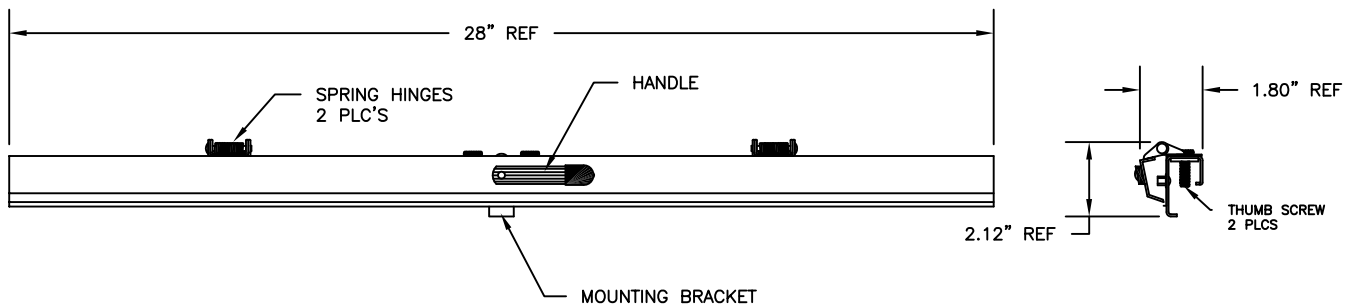


1060T Series

ECONOMY SNAP FLIP CHART BAR FOR 1060



Specifications

All exposed metal shall be satin anodized aluminum 6063-T5. The Economy Snap flipchart bar holds charts, easel pads and posters securely. The 1060T attaches easily to the top of the 1060 easel. It's clamp opens and closes smoothly without fuss. The Economy Snap flipchart bar can be purchased separately.