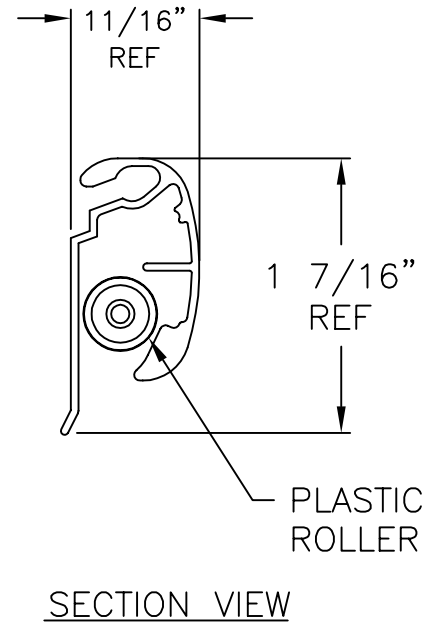
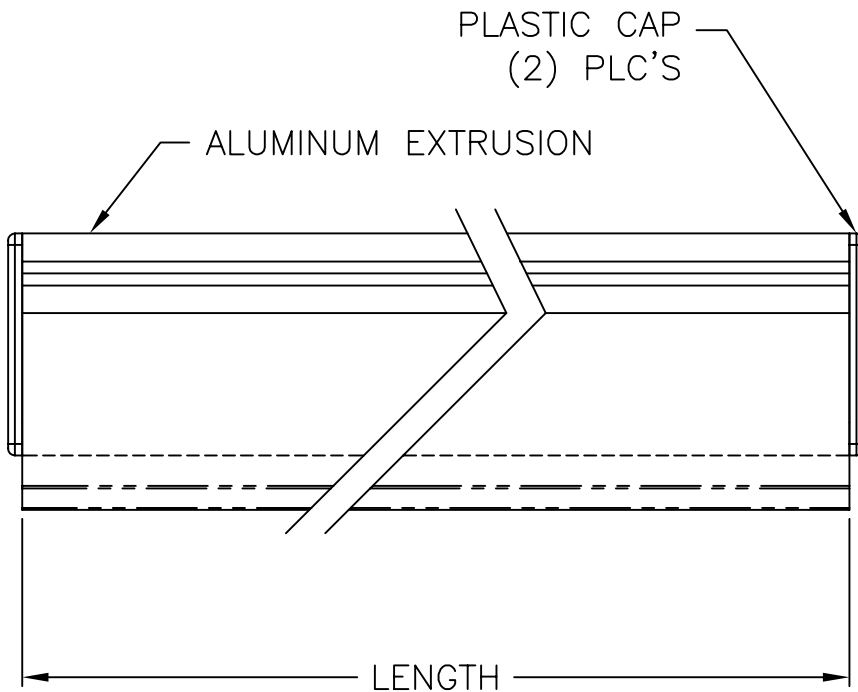


TD SERIES

TRAPEASE DISPLAY RAIL



Specifications

TrapEase display rails securely hold your paperwork firmly in place. The internal roller system safely traps the paper without damaging them. The TrapEase features a 6063-T5 aluminum extrusion with a plastic roller system. Mounts directly to the wall surface with plastic mounting brackets. Adjusts to hold up to 1/16" thick. The TrapEase lengths range from 12" to 96".