

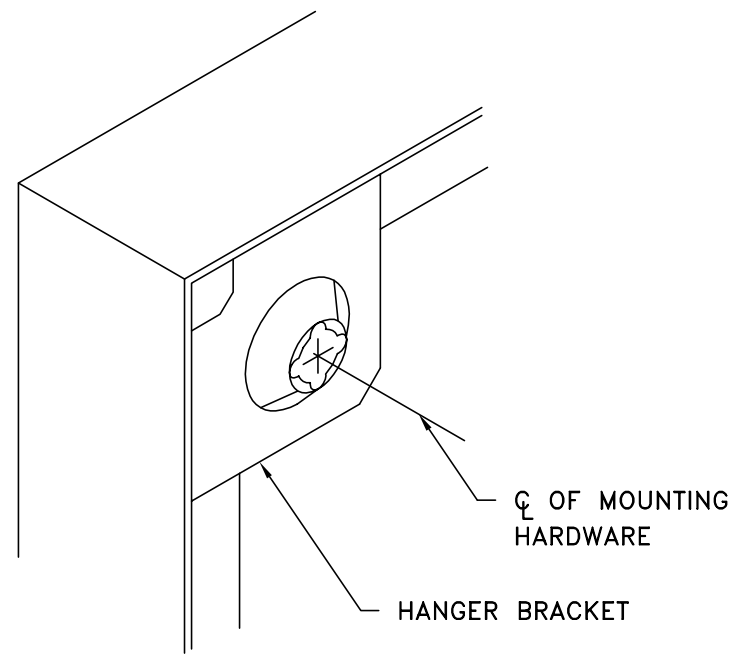
### MOUNTING HARDWARE (NOT INCLUDED)

(2) SCREW & PLASTIC WALL PLUG  
#10 X 1-1/2"

(2) HOLLOW WALL ANCHOR  
#10 X 1-1/2"

(2) SCREW & CONICAL PLASTIC ANCHOR  
#10 X 1-1/2"

MAY BE ACQUIRED FROM LOCAL SOURCES



REAR VIEW OF CABINET CORNER

FOR THE MOST SECURE MOUNTING OF THE VisuALL PC, USE #10 WOOD SCREWS INSTALLED DIRECTLY TO WOODEN WALL STUDS. WHEN WALL STUDS CAN NOT BE USED, WE RECOMMEND USING EXPANDABLE TYPE WALL ANCHORS (shown above).

1. DETERMINE THE DESIRED MOUNTING HEIGHT OF THE VisuALL PC AND SCRIBE A LEVEL LINE 1-1/2" DOWN FROM THIS LOCATION. POSITION AND MARK THE LOCATIONS FOR (2) MOUNTING HOLES 32-13/16" APART ALONG THE LINE.

TO MOUNT THE VisuALL PC USING #10 WOOD SCREWS INTO STUDS....

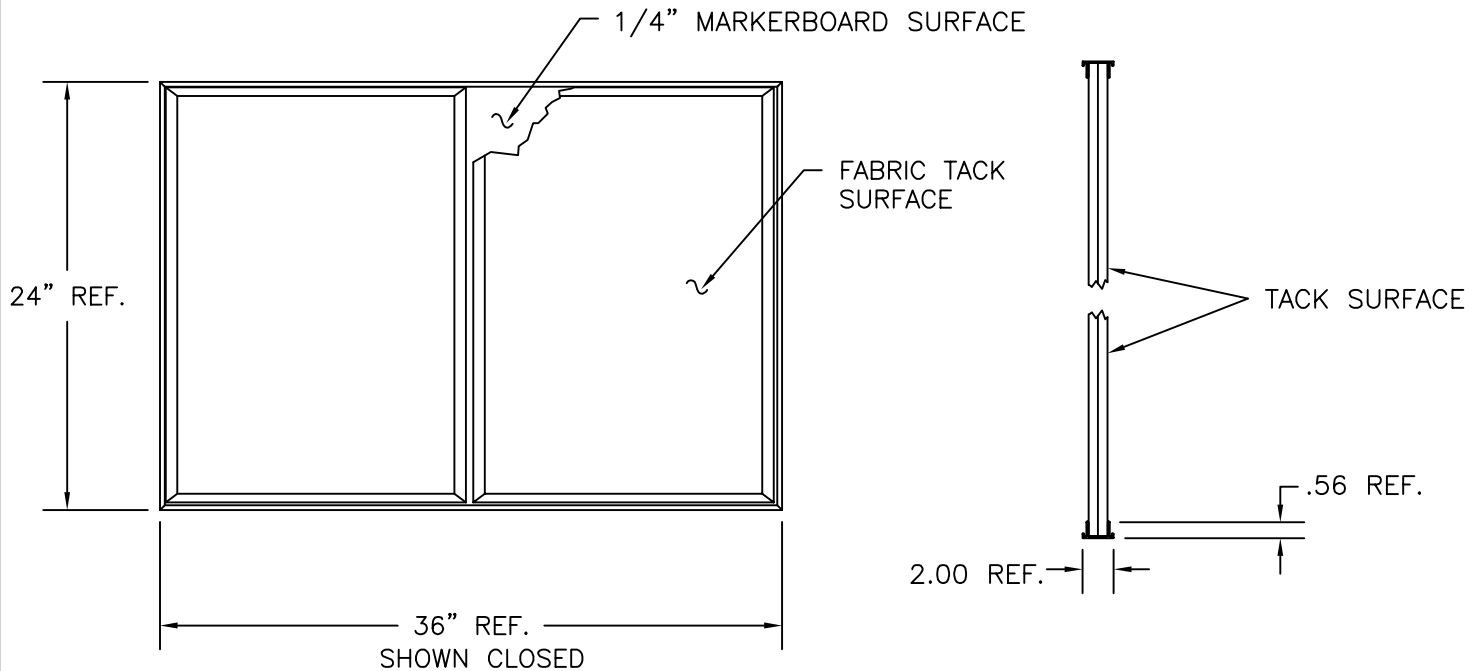
- 2a. >DRILL (2) 3/32" HOLES AT THE MOUNTING HOLE LOCATIONS.  
>INSTALL SCREWS, ALLOWING THE SCREW HEADS TO PROTRUDE 1/4" MAX. FROM THE WALL.  
>LIFT THE VisuALL PC HANGERS OVER THE SCREW HEADS.

TO MOUNT THE VisuALL PC USING EXPANDABLE WALL ANCHORS...

- 2b. >DRILL (2) ANCHOR MOUNTING HOLES AT THE MOUNTING HOLE LOCATIONS, PER THE ANCHOR MANUFACTURES INSTRUCTIONS.  
>INSTALL THE ANCHORS INTO THE HOLES PER THE ANCHOR MANUFACTURES INSTRUCTIONS.  
>ADJUST THE SCREW HEADS SO THAT THEY PROTRUDE 1/4" MAX. FROM THE WALL.  
>LIFT VisuALL PC HANGERS OVER THE SCREW HEADS.

# VisuALL PC CABINET

ERASEABLE MARKERBOARD/FABRIC TACKBOARD



## Specifications

The VISUALL PC combines an erasable 1/8" markerboard surface with a useful 3/8" fabric tackboard.

The gray pvc framing is permanently attached to the writing/tack surfaces.

The outer fabric tackboard hinges open from the center to reveal the markerboard or closes for privacy.

Compact enough for small places, but is surprisingly generous in size. Opening to 72" of markerboard surface the unit closes to 36" of fabric tackboard. Available in gray, blue or beige fabric. Each VISUALL comes complete with mounting accessories for easy attachment to walls or for hanging from divider panels.