

FIG. 1

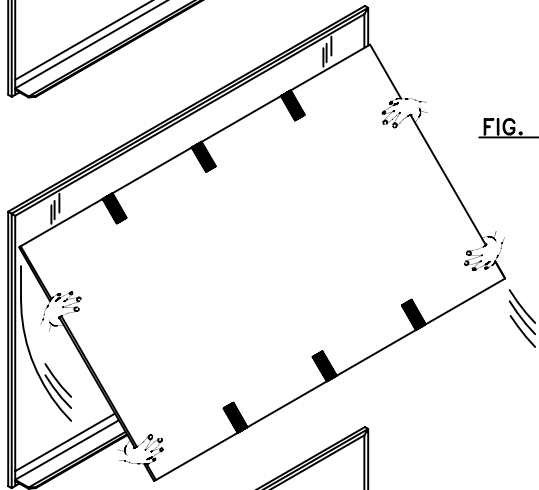


FIG. 2

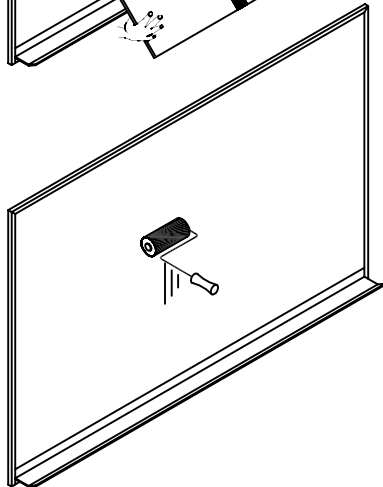


FIG. 3

A PRACTICAL AND INEXPENSIVE WAY TO REPLACE WORN OUT WRITING SURFACES IS TO COVER THEM WITH GHENT'S PDQ PORCELAIN SKINS. CONVERT YOUR OLD CHALKBOARD INTO A MARKERBOARD OR REVIVE YOUR CHALKBOARD WITH A NEW SURFACE.

INSTALLATION INSTRUCTIONS:

1. PREPARE OLD SURFACE. BEFORE APPLYING PORCELAIN SKINS, YOUR EXISTING BOARD SURFACE SHOULD BE THOROUGHLY CLEANED. ALL DUST IS TO BE REMOVED TO PROVIDE A SMOOTH CLEAN SURFACE. LOOSE SPOTS SHOULD BE NAILED TO THE WALL AND ROUGH SPOTS SHOULD BE REMOVED. REMEMBER TO REMOVE ALL H-BARS PRIOR TO PORCELAIN SKIN INSTALLATION.

2. APPLY CONTACT CEMENT. GHENT RECOMMENDS "DAP WELDWOOD ORIGINAL CONTACT CEMENT" OR EQUIVALENT.

THE CONTACT CEMENT SHOULD BE USED AND APPLIED IN ACCORDANCE WITH PACKAGE INSTRUCTIONS. APPLY CONTACT CEMENT TO THE REAR OF THE NEW PORCELAIN SKIN AND TO EXISTING BOARD SURFACE USING A ROLLER (SEE FIG. 1). PLEASE NOTE THAT THE PORCELAIN SKIN IS TO REMAIN TAPED TO HARDBOARD SHEETING. THIS SHEETING ACTS AS AN INSTALLATION TOOL TO EASE THE LIFTING AND PLACEMENT OF YOUR GHENT PORCELAIN SKIN. CONTACT CEMENT SHOULD BE APPLIED TO EVEN THE TAPED AREAS ON THE REAR OF THE PORCELAIN SKIN. ALLOW CONTACT CEMENT TO CURE ON SURFACES PER THE CONTACT CEMENT'S PACKAGE INSTRUCTIONS.

3. POSITION SKIN. ALIGN YOUR GHENT PORCELAIN SKIN WITH THE OLD SURFACE (SEE FIG. 2). APPLY EVEN PRESSURE TO THE HARDBOARD SHEETING TO ENSURE ADHESION. USING A LINOLEUM ROLLER (THE RECOMMENDED METHOD) OR A RUBBER Mallet, PRESS FIRMLY OVER THE ENTIRE SURFACE OF YOUR GHENT PORCELAIN SKIN (SEE FIG. 3). GHENT RECOMMENDS THAT YOU BEGIN PRESSING AT THE CENTER OF THE PANEL AND RADIATE OUTWARD. ONCE ADHESION IS ACHIEVED REMOVE HARDBOARD SHEETING BY CAREFULLY CUTTING THE TAPE STRIPS. TRIM TAPE AS CLOSE TO THE SURFACE AS POSSIBLE.

4. FINISH INSTALLATION. THE CONTACT CEMENT WILL CONTINUE TO "SET" FOR UP TO 72 HOURS. WE RECOMMEND THAT YOU DO NOT USE THE SURFACE DURING THIS "SET" TIME. PEEL AWAY CLEAR PROTECTIVE FILM FROM YOUR NEW WRITING SURFACE, AND YOU ARE READY TO USE YOUR NEW CHALKBOARD OR MARKERBOARD.

PDQ INSTALLATION INSTRUCTION SHEET

GHENT
MANUFACTURING INC
IS-PS24