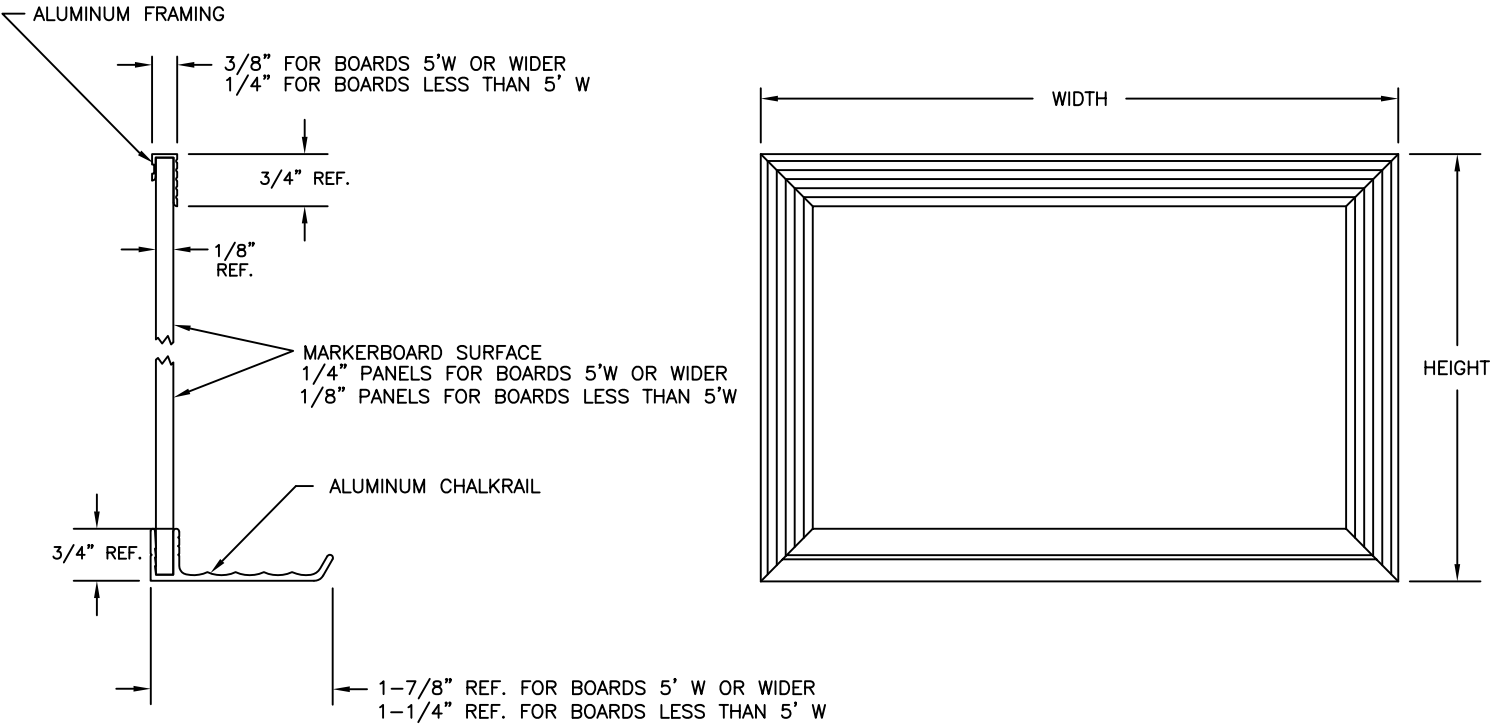


# Series M2

ALUMINUM FRAMED VERONA MELAMINE MARKERBOARD



## Specifications

All exposed metal shall be anodized extruded aluminum 6063-T5. Aluminum framing shall be permanently attached to the white markerboard writing panel. This board comes with or without 4 dry-erase markers and carries a 10-year guarantee. Available in sizes 18"H x 24"W through 4'H x 12'W.