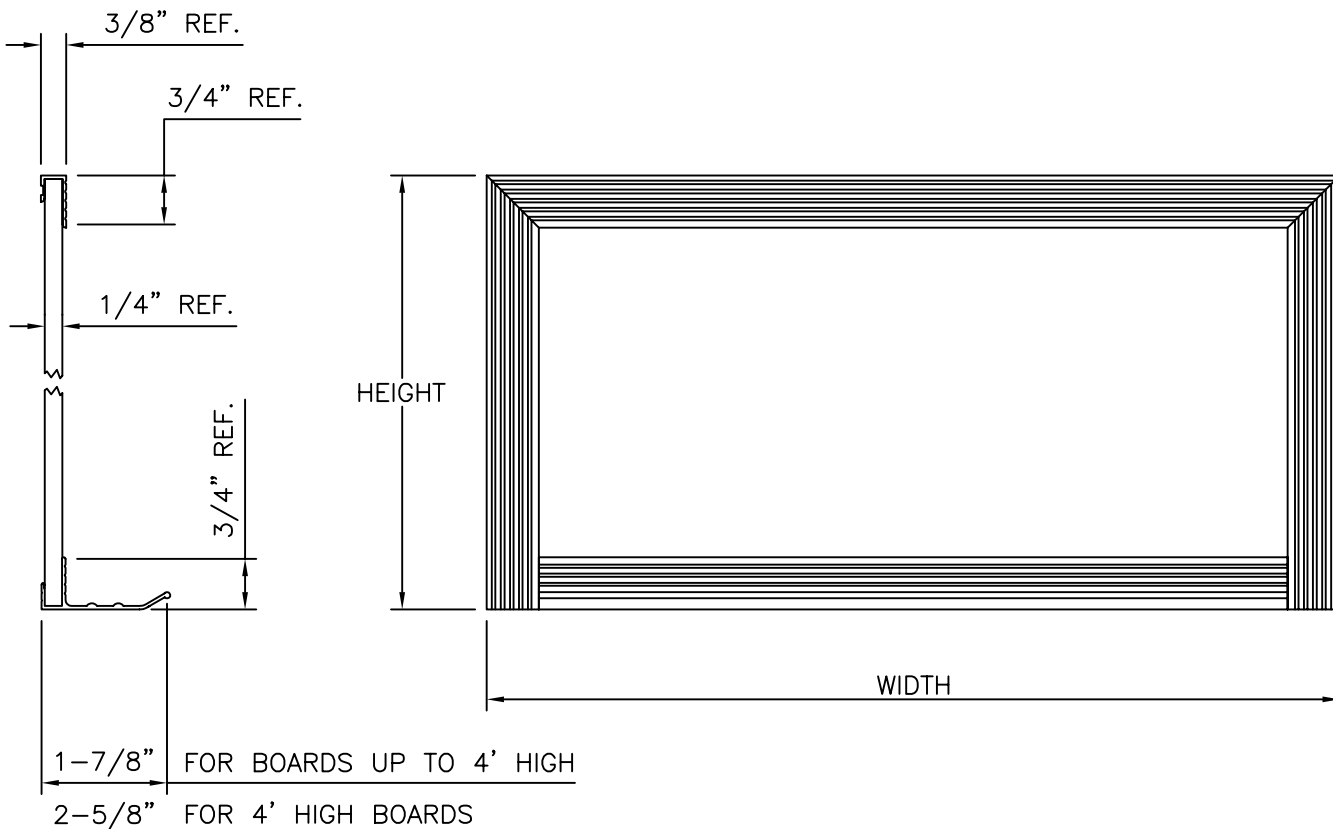


Series AP

TRADITIONAL TITAN CHALKBOARDS



Specifications

All exposed metal shall be anodized extruded aluminum 6063-T5. Framing to be permanently attached to writing surface. Titan's porcelain on 28ga. steel writing surface holds magnetic accessories. The green or black writing surface is laminated to a 1/4" hardboard substrate. Titan chalkboards are backed by a 50 year guarantee. Available in sizes from 2'H x 3'W through 4'H x 12'W.