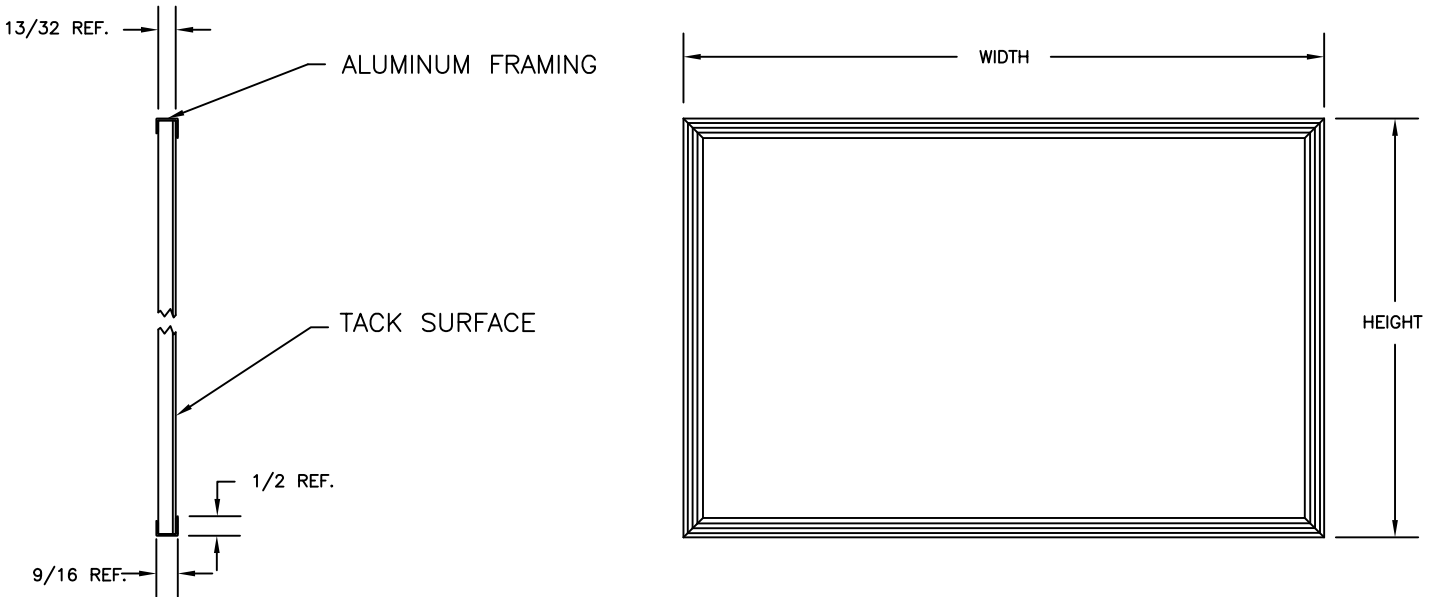


1300 Series

ALUMINUM FRAMED CORK BULLETIN BOARD



Specifications

All exposed metal shall be anodized extruded aluminum 6063-T5. Aluminum framing to be permanently attached to the tack surface. The self-healing tack surface is composed of 1/32" fine grain natural cork laminated to a sealed-back 3/8" fiberboard. Available in sizes from 18"H x 24"W through 36"H x 48"W. The 1300 series boards carry a 10-year guarantee.